

Treanna Window Shading Installation

Treanna Window Shadings represent a design breakthrough in style, efficiency and function. The unique fabric structure and hardware system are designed to provide years of reliable service when properly installed.

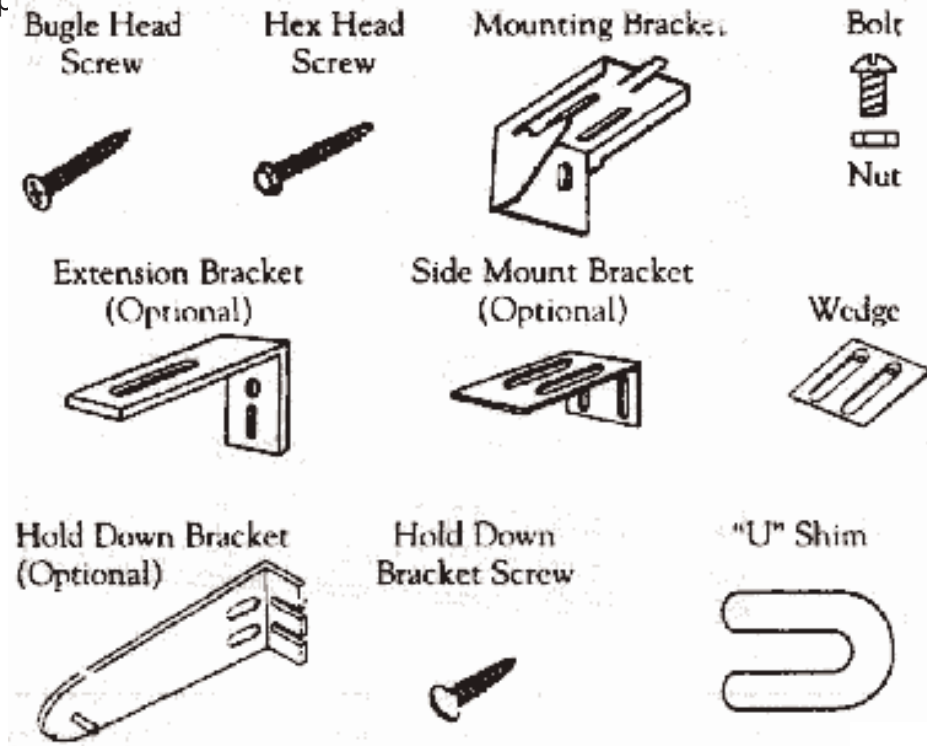
Please take a few minutes to read through these instructions before beginning.

BASICS

A few simple tools are required:

- Measuring tape
- Carpenter's Level
- Power drill or Phillips head Screwdriver
- 1/4" Hexhead and/or Phillips driver bit

Additional fasteners other than those sent with your shading may be required depending on the mounting surface. Wallboard and plaster require the use of anchors such as expansion or toggle bolts. Brick, tile or stone need special fasteners to avoid splitting.



Step 1. BRACKET INSTALLATION

MAKE SURE MOUNTING SURFACE IS LEVEL



If the headrail does not sit level, the fabric will not roll up evenly which could damage the edges of the shading fabric. Use shims if necessary to level brackets.

Bracket Installation

End brackets should be located with centerlines 2" in from each end. Depending on the width of the shading, additional brackets may be necessary evenly spaced between the two end brackets.

For shade widths of:	Use this number of brackets:
Up to 40"	2
>40"-72"	3
>72"-84"	4
>84"-112"	5

Inside Mount

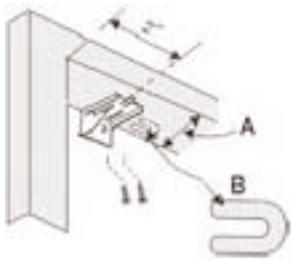


FIG. 2

Fully Recessed Inside Mount

Low light gap wedges can be used to reduce the top light gap when the shade is mounted fully recessed. The wedge is placed between the mounting surface and the bracket with the tabs on the wedge facing down and the thick end of the wedge toward the back of the bracket.



Outside Mount

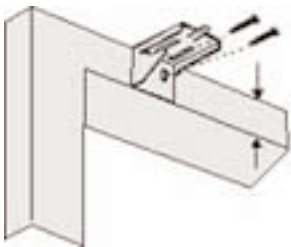
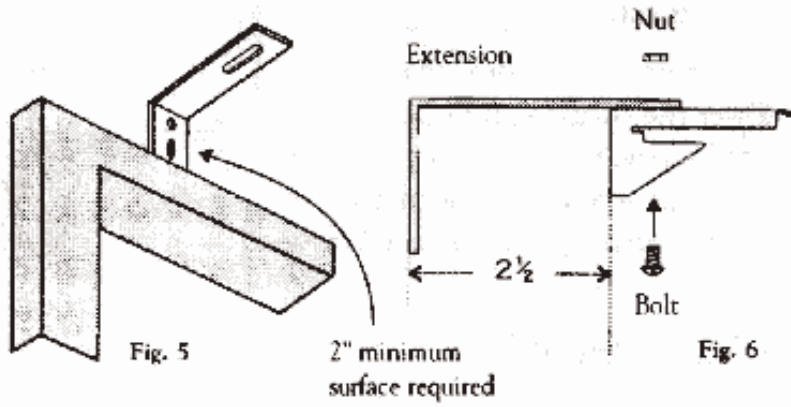


FIG. 3

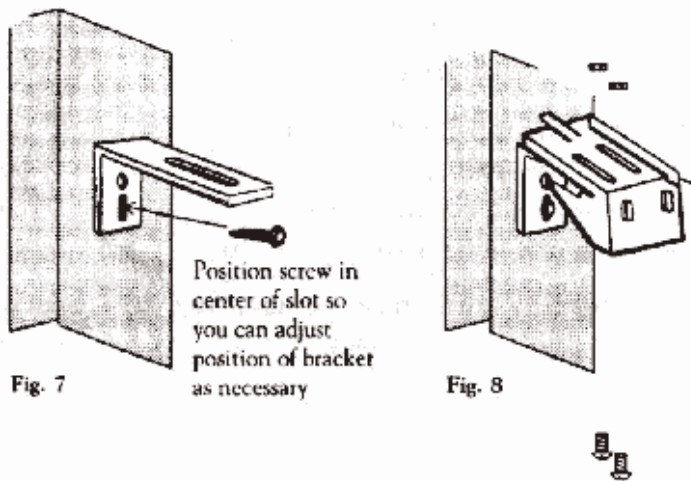
Extension Brackets (optional)



Optional Extension Brackets are used to project the back of the shading up to 2 1/2" from the mounting surface. Attach the Standard Mounting Bracket to the Extension Bracket with the nut and bolt provided.

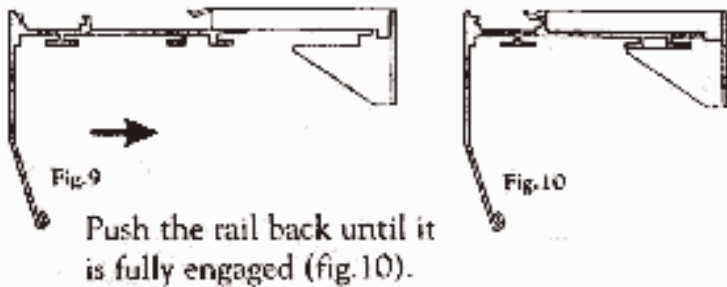
Side Mount (optional)

Measure from window sill up to desired mounting position on each side of the window frame. Mark position. Mount Side Mount Brackets on each side of window frame as shown. Make sure to confirm that headrail will sit perfectly level. Once Side Mount Brackets are installed and properly positioned, attach the Standard Mounting Brackets using the nuts and bolts provided.

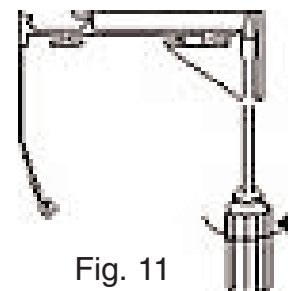


Step 2. HANGING THE SHADE

Install Headrail



To remove the shading, partially lower the shading and insert a flat head screwdriver as shown (fig.11). Twist the screwdriver until the headrail disengages from the bracket.



Step 3. CHILD SAFETY

The Consumer Product Safety Commission requires the use of a cord tie down (cord tensioner) on all continuous loop cord systems. The use of such a device is intended to significantly reduce the occurrence of infant or small child strangulation injuries or deaths resulting from the looped pull cords on various window treatment products.

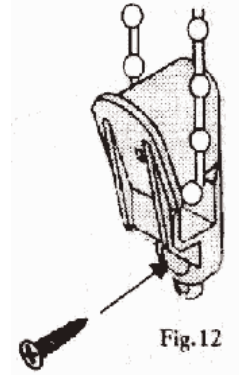
Cord Tensioner

The Cord Tensioner is installed on the Lift Cord before packaging. The Tensioning device should be mounted in the proper position to pull the cord taut in order to reduce the possibility of injury.

Cord Tensioner Installation:

Lower the shading. Hold the tension device upright as shown in the illustration. Position the tension device on the window frame of the wall so that the tension device and control cord do not interfere with shade operation.

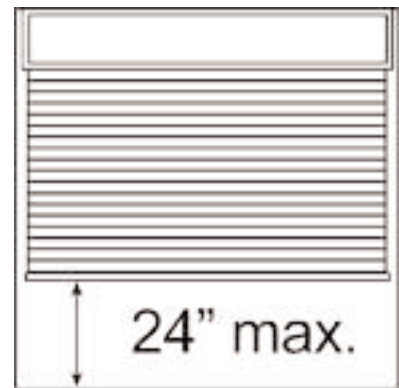
The control cord must be taut but still operable. Do not allow for any slack. Do not twist or cross the cord. Holding the tension device upright, taut and in position, insert the secure screw.



Step 4. OPERATION

Pulling down on the back cord will lower the shading. When the window shading is completely lowered, pulling down on the back cord will open the vanes. Continued pulling in this direction will raise the fabric with the vanes in the open position. The window shading must only be raised a maximum of 24" in this manner to avoid damaging the fabric. There is a stop pre-set on the bead chain to allow 24" of reverse roll-up. There is no stop on the polyester cord option. DO NOT reverse roll more than 24".

Pulling down on the front cord will close the vanes and then raise the shading.



Step 5. HOLD DOWN INSTALLATION (optional)

Use the pin on the hold down bracket to punch out the front hole on the bottom rail end cap.

Mount the hold down to the side or back of the window frame so that the pin lines up with the front hole in the bottom rail end cap with the shade fully lowered and fully open.



Lower the shading and flex the hold down bracket outward so that the pin can be inserted into the hole in the end cap.