

# VERTICAL BLIND

## INSTALLATION INSTRUCTIONS

CONGRATULATIONS on purchasing the finest vertical blinds made. We are confident that you will be pleased with their ease of installation, function, fashion, and quality. Please read completely the instructions below before beginning the installation process. Before beginning installation, remove all parts from box and check the parts list to make sure you have received all parts needed for installation. Double check the carton for parts before discarding it.

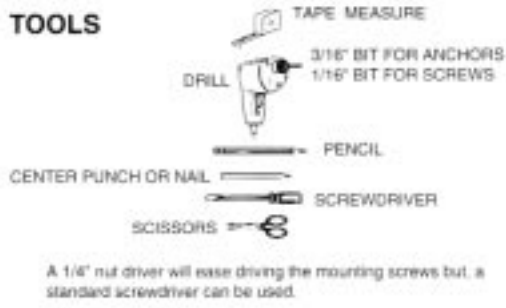
### SECTION

- A. Standard Blind Wall Mount
- B. Standard Blind Ceiling Mount
- C. Dust Cover Valance
- D. Wand Control
- E. Tension Pulley

### SECTION

- F. Lower Installation
- G. Angle Blind
- H. Shorten Cord/Untwist Cord
- I. Warning/Warranties

### TOOLS



### SUGGESTED FASTENER GUIDE

**ANCHORS\* (not supplied)**  
Plastic or lead anchor insert.

Plastic anchor insert for lightweight blinds only, in drywall, paneling, etc.

**HOLLOW WALL ANCHORS\* (not supplied)**

Hollow wall anchor.  
For heavy blinds.

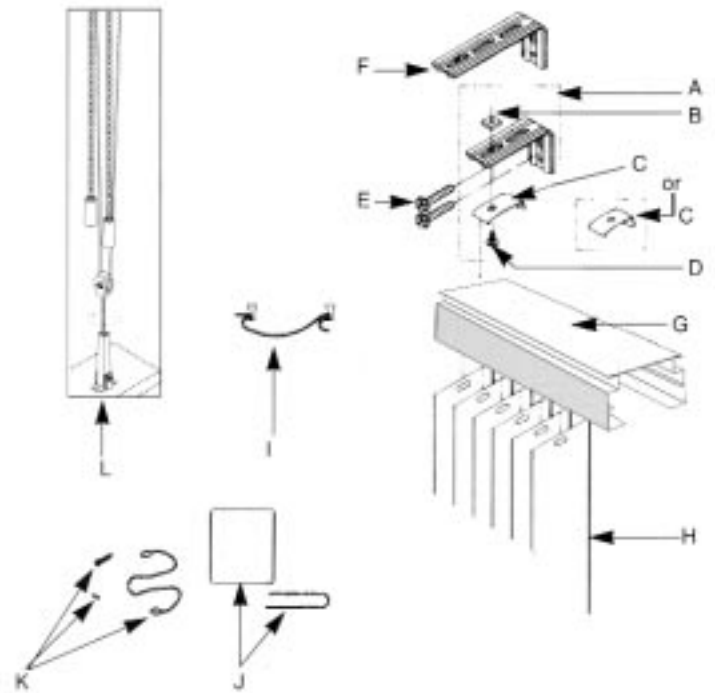
Hollow wall toggle bolt. For heavy blinds.

### PARTS LIST

- A. Wall Bracket Assembly
- B. Nuts
- C. Mounting Clips
- D. Bolts
- E. Mounting Screws
- F. Extension Bracket\* (optional)
- G. Headrail
- H. Louvers (cloth, aluminum or vinyl)  
NOTE: Cloth louvers may have weights sewn in the bottoms
- I. Chain and Clip, Optional, (Cloth Louvers Only)
- J. Chain and Spacer Card, Optional, (Aluminum and Vinyl Louvers Only) (Not Used On Vinyl Louvers With Cloth Inserts)
- K. Tie down clip, Chain Connector and Screw
- L. Tension Pulley attached w/cord, and 2 pull tassels attached within.

### Valance Parts

- Dust Cover Valance See Section D
- Trimline Valance . . . . . See Section E
- Horizon Valance . . . . . See Section F



There are two basic vertical installations.

- A. One way is to mount it to a vertical surface such as your wall, outer window frame or outer door frame. (OUTSIDE MOUNT)
- B. The second way is to mount it to a horizontal surface such as your ceiling or to the upper inside surface of your window frame or door frame. (INSIDE MOUNT)

NOTE: If an adjustable bracket has been provided follow Section A Steps 1-4, then go to the top of second page Section C.

### A. OUTSIDE MOUNT MOUNTED ON A VERTICAL SURFACE (WALL, WINDOW OR DOOR FRAME)

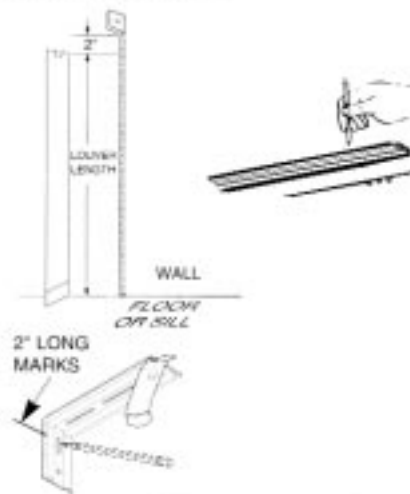
1. Mark "HEIGHT" on wall at Louver Length + 2"

2. Center headrail over window at "HEIGHT" mark. Make about a 2" long mark on wall about 4" in from each end.

For blinds over 62" wide, make marks on wall for every bracket. Spaced evenly.

0-62" WIDE	2 BRACKETS
62-98" WIDE	3 BRACKETS
98-134" WIDE	4 BRACKETS
134-170" WIDE	5 BRACKETS
170-192" WIDE	6 BRACKETS

3. Hold brackets up to 2" marks and mark mounting holes on wall.

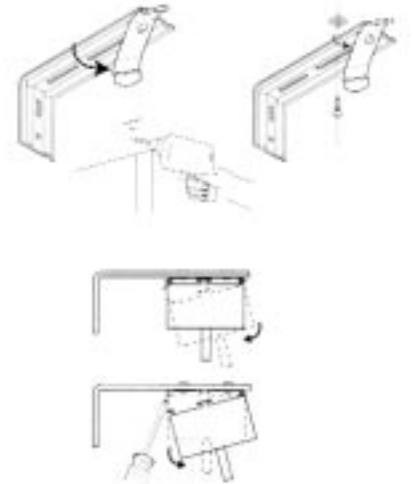


4. You may find it easier to mark wall and mount wall brackets if the clip is twisted out of the way. For brackets with two screws, remove one screw and loosen the other then twist clip 1/4 turn.

5. Drill holes at these marks. If mounting into drywall, use wall anchors (not included) and push into drilled holes. Screw brackets into place. Use 2 screws per bracket.

6. Twist all clips back to original position and tighten all screws. Snap headrail in place by inserting front edge in mounting clips and rotating back. (Note: Put cord on right for right draw and on left for left draw.)

7. To remove blind, release headrail by inserting a screwdriver between headrail and release tab.



### B. INSIDE MOUNT MOUNTED ON HORIZONTAL SURFACE (CEILING OR UPPER INSIDE DOOR/WINDOW FRAME)

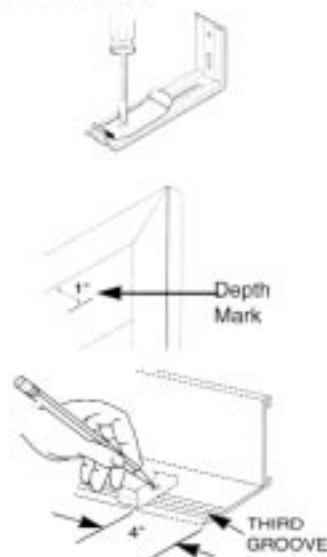
Note: This mounting method can be used for dust cover valance. For Trimline see section E, For Horizon see section F.

1. The mounting clips may come to you attached to the mounting brackets. The brackets are not used with this way of mounting. Loosen and remove the screw on the bottom of the bracket. If your bracket has two screws, remove both of them. Do this on all wall brackets. Discard brackets and adjusting screws and keep just the clips.

2. You will need to make marks on two things. One is your door/window frame or ceiling and the other is the valance.

3. For marks on your door/window frame or ceiling, hold your valance up, centered over door or window and mark the width of your valance (WIDTH MARK). At the valance width marks you just made, measure out 1" from wall and make pencil marks (DEPTH MARKS).

4. Center a clip over the third groove and about 4" or less from each end. For blinds over 62", evenly space all additional clips and mark all hole locations.

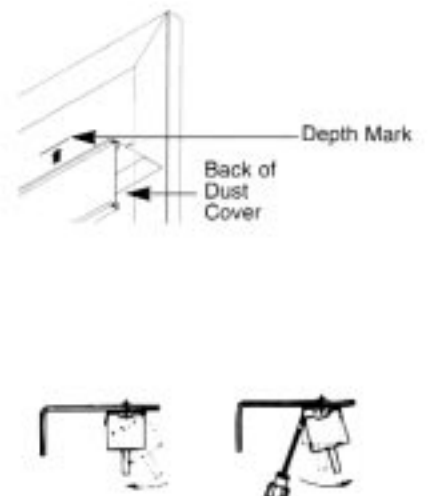


5. Hold valance up. Line back of dust cover (on valance) up with DEPTH marks (step 3). Drill holes through valance at the mounting hole marks. If mounting into drywall, use wall anchors (not included) and push into drilled holes.

6. Hold valance and clips up to the holes and drive screws through clip and valance and into your ceiling or sill.

7. Snap headrail in place by inserting front edge in mounting clips and rotating back. (Note: Put cord on right for right draw and left for left draw)

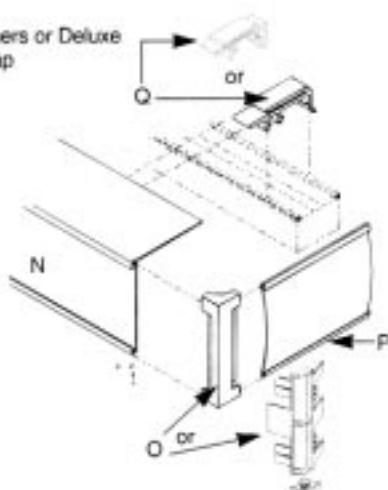
To remove blind, release headrail by inserting a screwdriver between headrail and release tab.



### C. DUST COVER VALANCE

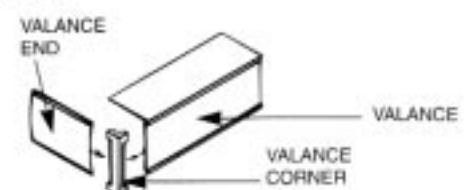
#### Valance Parts

- N. Valance
- O. Standard Valance Corners or Deluxe Valance Corner and Cap
- P. Valance Returns
- Q. Valance Clips



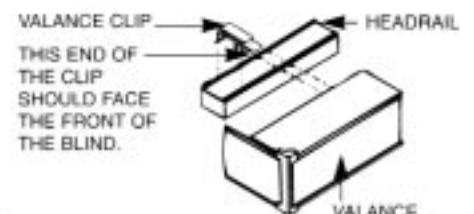
### VALANCE CORNER ASSEMBLY

• For Standard Corner Valance  
Insert valance ends into valance corners and attach to valance.



Attach Dust Cover Valance to vertical blind.

• For Outside Mounting  
Snap one clip onto headrail about 2" from each end. Space remaining clips evenly on headrail. Slide valance into clips.



• FOR INSIDE MOUNTING - GO TO SECTION B

## D. WAND CONTROL

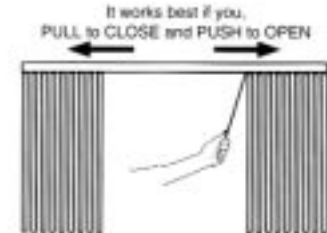
### OPERATING INSTRUCTIONS

TO ROTATE the louvers, rotate the wand in the direction you want the louvers rotated.

TO OPEN OR CLOSE THE LOUVERS, first rotate the louvers open. Then, push or pull the wand to open (stack louvers) or close (unstack louvers) the blind.

#### Note:

If louvers are installed with the front of the louver facing the wand, the wand will be in front of the louvers when the blind is rotated closed. If the louvers are installed with the back of the louver facing the wand, the wand will be in back of the louvers when the blind is rotated closed.



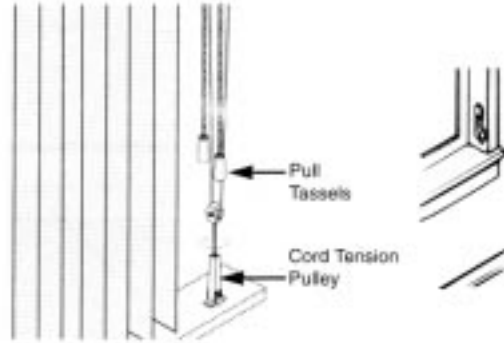
## E. TENSION PULLEY

To Avoid Strangulation, Cord Tension Pulley should be attached to the cord and then secured to the wall. Two pull tassels should be attached to the chain.

### INSTALL CORD TENSION PULLEY

Note: Do Not Pre-Drill Holes

For inside mounts, pulley should be positioned toward back of sill so that it will not interfere with the louver rotation.

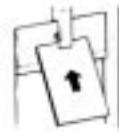
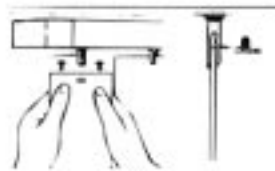


## F. LOUVER INSTALLATION

### ALL STYLES

#### 1. INSTALL THE LOUVERS

Rotate stems so that you can see through the stem slots. Push louvers up into stem. Gently pull down on louver to insure it catches on stem hook. For cloth louvers, all hems should face the same direction. If louvers will not rotate, check to see if all louvers are overlapped the same. If not, remove louvers and carefully reinstall them.



Remove louvers by inserting credit card between louver and long leg of stem.

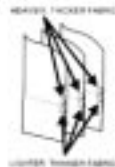
#### 2. INSTALL BOTTOM HARDWARE (OPTION)

##### For Fabric Louvers With Sewn In Weights:

Chains may be installed to the front or rear of the louvers. Slide clip onto fabric louver at the location shown to left.

##### For Fabric Louvers With Standard Weights:

If weights are not sewn into pockets, insert weights in pockets at bottom of louvers. Attach clips to front holes of weights starting with the louver at the stationary end of the blind. At the leading louver, drape chain across face of louver and attach clips to back holes of weights. Thread loose end of chain through one loop on the tie down clip. Join chain ends using chain connector. Attach clip to window casing or floor with screw.



Stationary louver

Weight

Leading louver

Loop chain across face of louver



##### For PVC Louvers With Keyholes Located At The Center Of The Louver:

Keep spacing with spacer card. Attach tie down clip to end of bead chain. Screw clip to floor.

Spacer Card

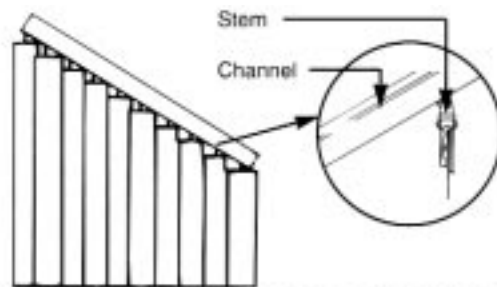


## G. ANGLE BLINDS

To allow the louvers to hang and rotate, a special stem has been provided. Hold the stem steady while inserting the louver.

Follow Headrail Mounting Instructions SECTION A or B. Follow Louver Installation Instructions SECTION F

A Cord weight and cord cleat should be attached to blind instead of tension pulley and cord clip.



Since the blind is mounted at an angle, the louver holders will tend to slide "downhill." A cord cleat is provided to wrap the cord around and prevent the louvers from sliding.

A cord weight will apply constant tension to the cord.

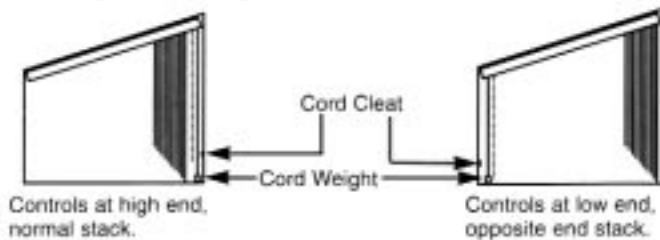
Install the cord cleat securely at a height to allow several turns of cord to be wrapped around it. (At least 18" above the cord weight.)



Cord Cleat

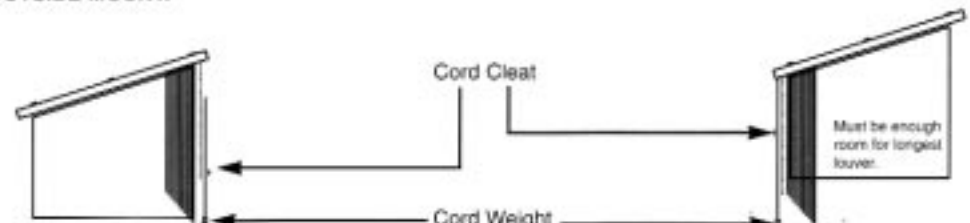
### INSTALLATION OPTIONS:

INSIDE MOUNT: Stacking must be at high end.



In both above cases, the cord must be wrapped around the cord cleat to hold the blind open.

### OUTSIDE MOUNT:



• Controls and stack at high end.

• Controls can also be at opposite end.

• Wrap cord around cleat to hold blind open.

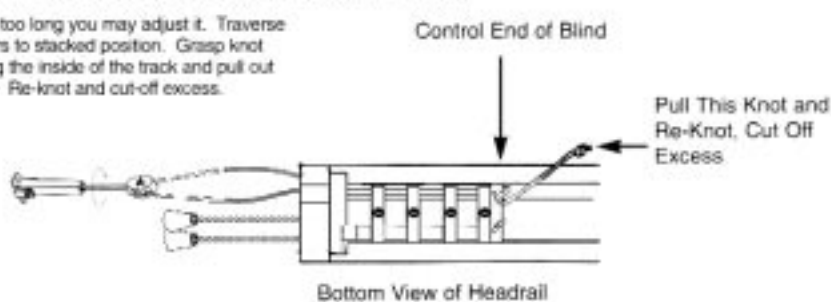
• Controls and stack at high end.

• Controls can also be at opposite end.

• Wrap cord around cleat to hold blind open.

## H. SHORTEN CORD / REMOVE CORD TWIST

If the cord is too long you may adjust it. Traverse louver holders to stacked position. Grasp knot located along the inside of the track and pull out excess cord. Re-knot and cut off excess.



### Un-Twisting Pull Cords

After you mount your blind, your cords may be twisted together. Follow these instructions to untwist them.

Open blind all the way. Pull out the knot that is farthest away from the end with the cords and chain. Use a needle nose pliers, if you have one, to get at the knot. Hold the cord near the knot and the cord near the drive end and twist both of them in the same direction. Try twisting one way and then the other until you find the right way to untwist the cord. Pull the cords on the end of the blind to get the knot back inside the blind.



## I. Adjustment of the L-60 Headrail

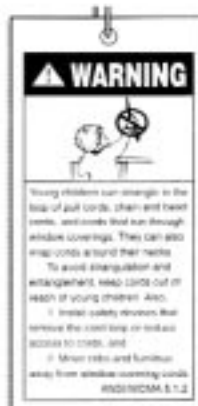
One of the features of the L-60 Headrail is that it is self-adjusting. If, at any time, the louver stems become uneven, it is very easy to adjust. First, take the chain and pull until there is resistance. Then give the chain a good tug in the direction of the pull. You will hear the headrail make a sound like gears stripping. Second, pull the chain in the opposite direction until there is resistance. Then, once again, give the chain a good tug. Again the headrail will make a sound like gears stripping. Repeat this until the louver stems are lined up correctly. This can be done before or after installation.

## K. Warranties

ConQuest & Infusions Vertical louvers, channel groovers and valances have a three (3) year limited warranty.

ConQuest & Infusions L-60 and L-90 Ultra Headrails have a ten (10) year limited warranty.

Please refer to the Skandia Window Fashions Price Guide for written warranties.



## J. LOUVER MAINTENANCE

Cloth - Clean by vacuuming

Aluminum - Clean damp cloth and mild soap.

Vinyl (PVC) - Clean with damp cloth and mild soap. A thin film of mild soap left on the louvers helps keep static electricity from building up. If cleaning becomes necessary, it is recommended to use a mild non-abrasive household detergent such as 409 or Ivory dish washing liquid to wipe dust build-up from the louvers.

### NON-WOVEN TEXTILE MATERIAL:

Several conditions are inherent in the construction of this unique non-woven textile material:

#### A. Marbling:

A naturally marbled appearance is characteristic of non-woven fabrics. This may become apparent when viewed in a window with the blind closed. The random nature of this marbling is attractive when displayed with other louvers and is not a "defect" in the goods.

#### B. Color:

Close control of batch dyeing operations and subsequent inspection helps to assure color uniformity, but as with all dyed fabrics, some lot-to-lot color variations may be expected.

#### C. Raveling:

The non-woven material does not ravel. Where normal sitting may cut across stitched threads, mechanical action may pull several inches of stitched thread loose. These may be clipped easily, quickly and neatly.

#### D. Ribbing:

Due to tension variation of the stitching, you may observe a slight difference in the ribbing from lot-to-lot.